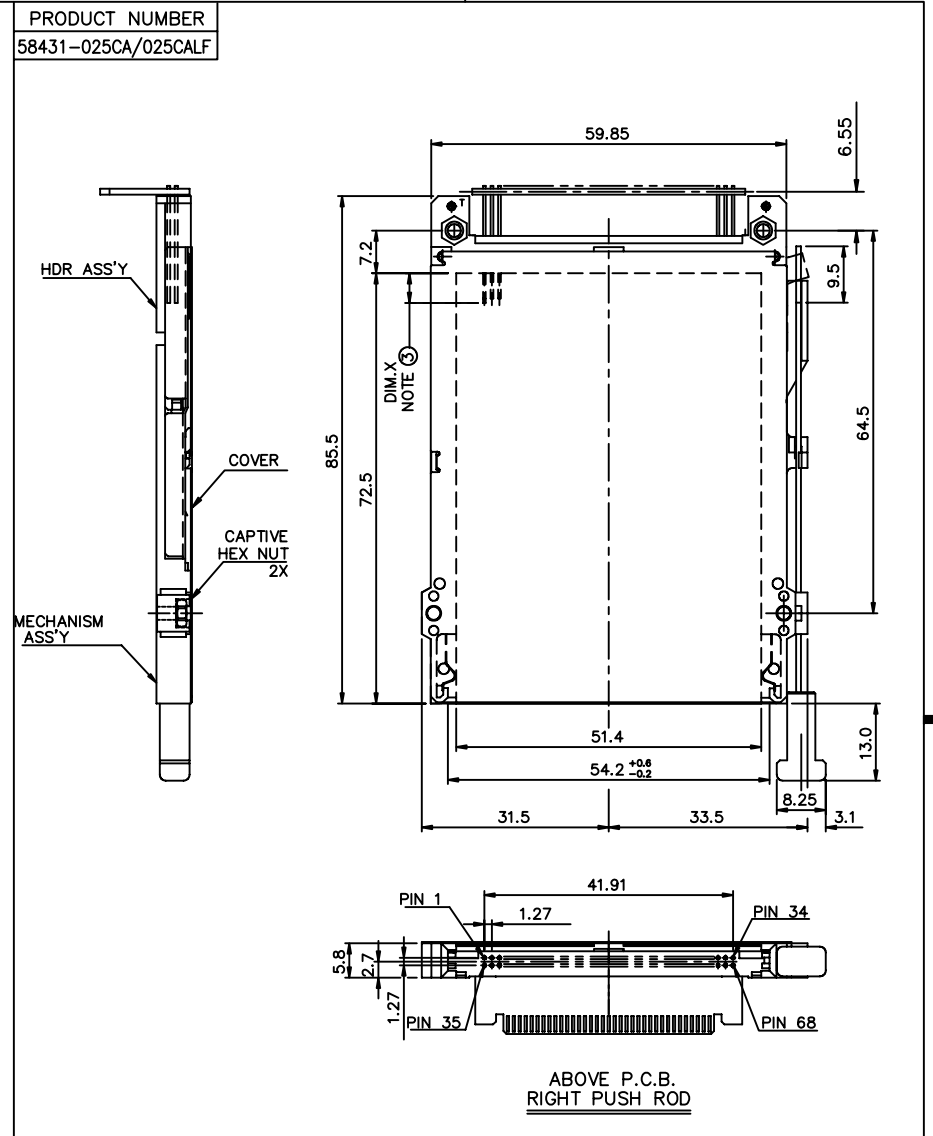
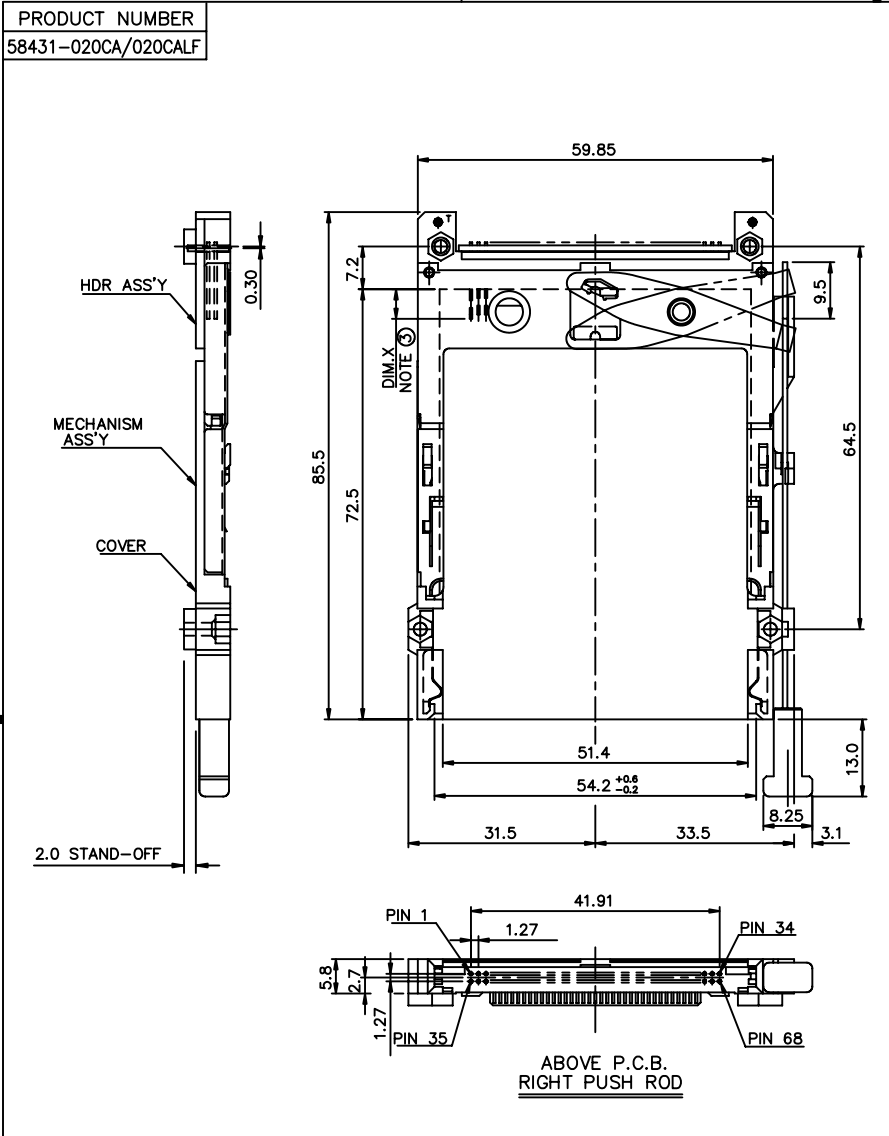


Tous droits strictement réservés. Reproduction ou communication a des tiers interdite sous quelque forme que ce soit sans autorisation écrite du propriétaire. Propriété de c FCI. Droits de reproduction FCI.

All rights strictly reserved. Reproduction or issue to third parties in any form whatever is not permitted without written authority from the proprietor. Property of FCI. Copyright FCI.



| | | | | | | | | | | | | |
|-------------|----------|-----|----------|---------------------------------------|-----------|---------|-----------------|---------------|----------------------------------|-----------------------------------|--------|---|
| mat'l. code | | | | tolerances unless otherwise specified | | | | CUSTOMER COPY | | Electronics www.fciconnect.com | | |
| ltr | ecn no | dr | date | linear | .X±.3 | | projection | | title | | | |
| A | V12742 | RGD | 12/3/01 | | .XX±.13 | | | | 3.3 V PCMCIA VTB HEADER ASSEMBLY | | | |
| B | V20226 | LP | 1/30/02 | | .XXX±.051 | | | | product family | MCS | code | - |
| C | V20516 | LP | 3/15/02 | | angles | 0° ±2° | | | size | dwg no | sheet | |
| D | V03-0387 | LP | 4/10/03 | dr | R.Dragoo | 12/3/01 | MM scale 1:1 | A4 | | 58431 | 1 of 3 | |
| E | N05-0187 | WB | 06/28/05 | enr | D.Brann | 12/3/01 | | cage code | | 22526 | | |
| | | | | chr | D.Brann | 12/3/01 | | status | | Released | | |
| | | | | appd | D.Brann | 12/3/01 | sheet index | | 1 | 2 | 3 | |

ACAD

PDM: Rev:E

STATUS: Released

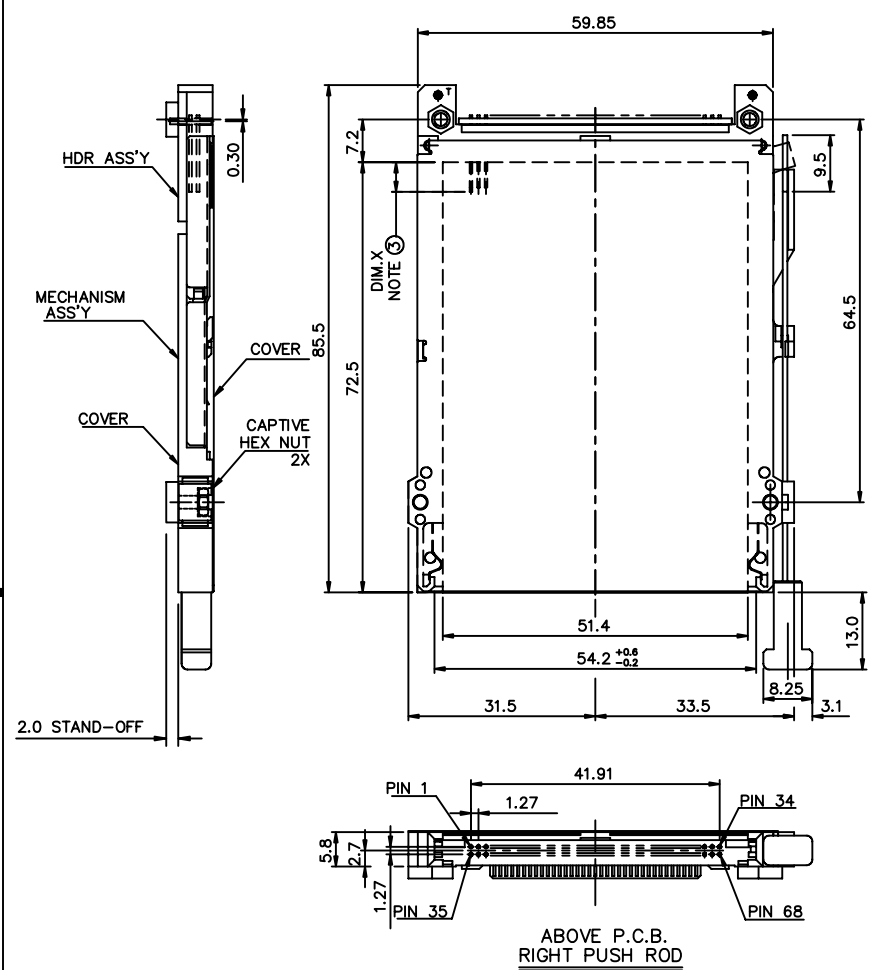
Printed: Sep 28, 2007

All rights strictly reserved. Reproduction or issue to third parties in any form whatever is not permitted without written authority from the proprietor. Property of FCI. Copyright FCI.

Tous droits strictement réservés. Reproduction ou communication a des tiers interdite sous quelque forme que ce soit sans autorisation écrite du propriétaire. Propriété de c FCI. Droits de reproduction FCI.



PRODUCT NUMBER
58431-020CAS/020CASLF



| | | | | | | | | | | |
|-------------|----------------|----|------|---------------------------------------|-----------|---------|---------------|----------------------------------|-----------------------------------|-------|
| mat'l. code | | | | tolerances unless otherwise specified | | | CUSTOMER COPY | | Electronics www.fciconnect.com | |
| ltr | ecn no | dr | date | linear | .X±.3 | | projection | title | | |
| E | | | | | .XX±.13 | | | 3.3 V PCMCIA VTB HEADER ASSEMBLY | | |
| | | | | | .XXX±.051 | | | product family MCS code - | | |
| | | | | angles | 0° ±2° | | MM | size | | sheet |
| | | | | dr | R.Dragoo | 12/3/01 | | A4 | | 58431 |
| | | | | enr | D.Brann | 12/3/01 | scale | | | |
| | | | | chr | D.Brann | 12/3/01 | 1:1 | | | |
| | | | | appd | D.Brann | 12/3/01 | | | | |
| sheet index | revision sheet | | | | | | | | | |

cage code
22526

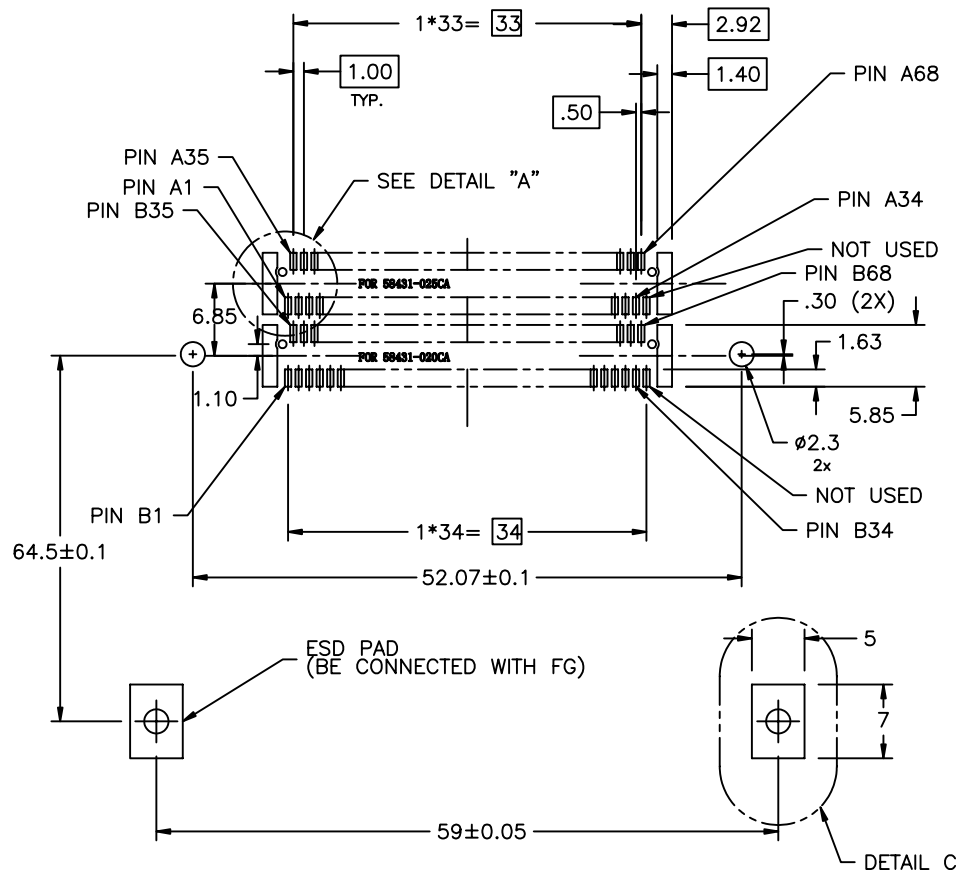
ACAD

PDM: Rev:E

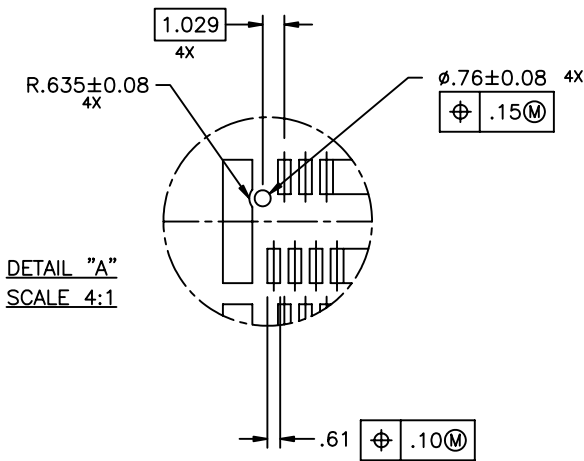
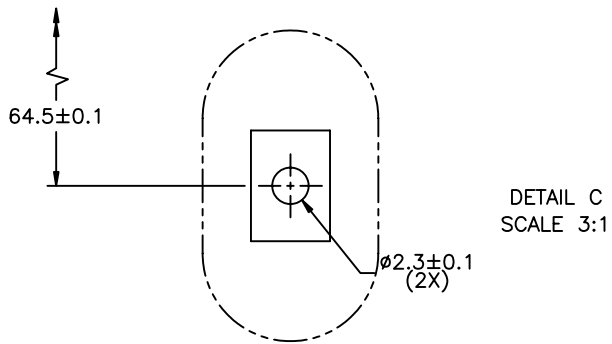
STATUS: Released

Printed: Sep 26, 2007

DOUBLE DECK FOR STAND-OFF 2.2mm
(ABOVE P.C.B.)



BOARD VIEW FROM CONNECTOR MOUNTED SIDE
TOP OF BOARD IN APPLICATION



NOTES:

- MATERIAL:
 - 1.1 HEADER ASSY:
 - PLASTIC HOUSING: LCP UL94V-0
 - PIN: PHOSPHOR BRONZE
 - PCB: FR4
 - 1.2 EJECT MECHANISM ASSY:
 - PLASTIC GUIDE: POLYPHTHARAMID UL94V-0 BLACK
 - PLASTIC PUSH-ROD BUTTON: POLYPHTHARAMID UL94V-0 BLACK
 - COVER PLATE, EJECT PLATE, LINK ARM, PUSH ROD: STAINLESS STEEL
 - EMI CONTACT: PHOSPHOR BRONZE
 - 1.3 MATING RECEPTACLE (91931-31169):
 - PLASTIC: LCP 94V-0 NATURAL
 - CONTACT: BeCu
- FINISH (PIN)
 - UNDER PLATING: 0.5um MIN Ni
 - CONTACT AREA: 0.1um MIN GOLD OVER
 - 0.5um MIN Pd-Ni
 - SOLDER TAIL: 2.5umMIN Sn-Pb
 - 2.5umMIN Sn-Pb (FOR -*****LF)
- DIM "X"

| | | |
|----------|---------|------------------|
| 4.25±0.1 | 3.5±0.1 | 5.0±0.1 |
| OTHERS | 36,67 | 1,17,34,35,51,68 |
- RECOMMENDED SCREW TORQUE: 1.0 TO 1.5 MAX in-lbs. (1.2-1.7 cm-kgs).
- IF LEAD FREE P/N.THE HOUSING WILL WITHSTAND EXPOSURE TO 260°C PEAK TEMPERATURE FOR 10 SECONDS IN A WAVE SOLDER APPLICATION WITH A 1.00MM MINIMUM THICK CIRCUIT BOARD.
- IF LEAD FREE P/N.THE PRODUCT MEETS EUROPEAN UNION DIRECTIVES AND OTHER COUNTRY REGULATIONS AS DESCRIBED IN GS-22-008
- LEAD FREE P/N PACKAGING MEETS GS-14-920 SPECIFICATION

| | | | | | | | |
|-------------|----------------|---------------------------------------|------|---------------|------------|----------------------------------|--------|
| mat'l. code | | tolerances unless otherwise specified | | CUSTOMER COPY | | www.fciconnect.com | |
| ltr | ecn no | dr | date | linear | projection | title | |
| E | | | | | | 3.3 V PCMCIA VTB HEADER ASSEMBLY | |
| | | | | angles | | product family | code |
| | | | | dr | | MCS | - |
| | | | | enfr | | size | dwg no |
| | | | | chr | | A4 | 58431 |
| | | | | appd | | scale | 3 of |
| | | | | | | 1:1 | |
| sheet index | revision sheet | | | | | | |

Tous droits strictement reserves. Reproduction ou communication a des tiers interdite sous quelque forme que ce soit sans autorisation écrite du propriétaire. Propriete de c FCI. Droits de reproduction FCI.

All rights strictly reserved. Reproduction or issue to third parties in any form whatever is not permitted without written authority from the proprietor. Property of FCI. Copyright FCI.